

4

3

2

1

THIS DRAWING IS UNPUBLISHED.

RELEASED FOR PUBLICATION

20

© COPYRIGHT 20 BY -

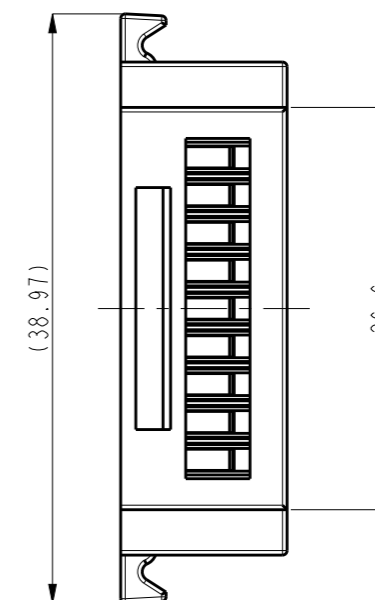
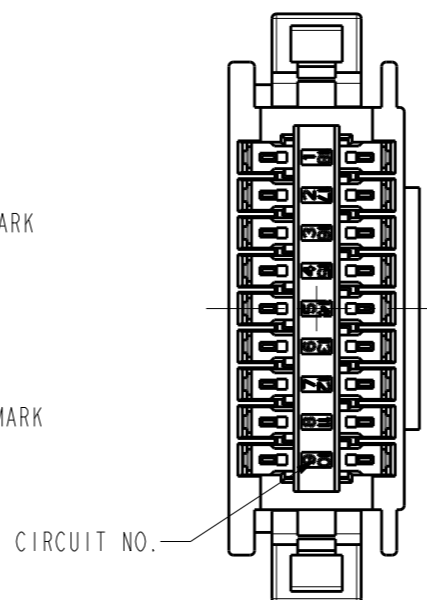
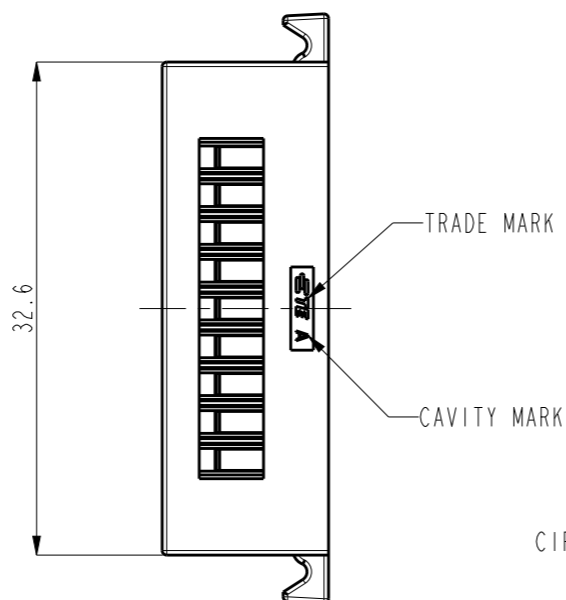
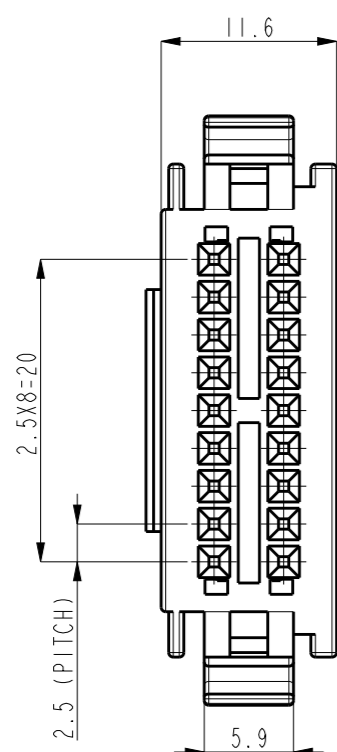
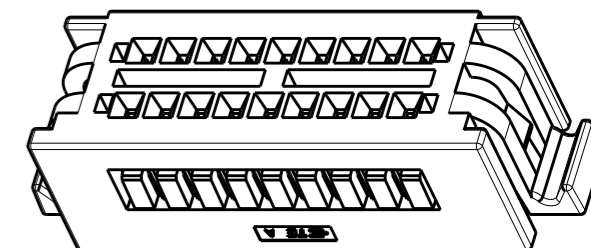
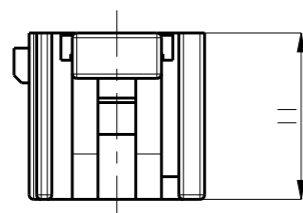
ALL RIGHTS RESERVED.

LOC
DS

DIST
-

REVISIONS

P	LTR	DESCRIPTION	DATE	DWN	APVD
	D	ECR-19-010880	16JUL2019	SE	BH



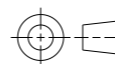
NOTE

1. GENERAL TOLERANCES: ± 0.25
2. MATING HSG P/N: 2108505-1
3. APPLIED CONTACT P/N: 917683-X, 917684-X
4. APPLIED TPA P/N: 917705-1
5. MATERIAL: PA66 (UL94V-0)

2108504-1	NAT	18
P/N	COLOR	POS

THIS DRAWING IS A CONTROLLED DOCUMENT.

DIMENSIONS:
mm



TOLERANCES UNLESS OTHERWISE SPECIFIED:

0 PLC	$\pm .5$
1 PLC	± 0.5
2 PLC	± 0.13
3 PLC	± 0.013
4 PLC	± 0.0001
ANGLES	$\pm .$

MATERIAL SEE NOTE

FINISH

DWN SE JUNG
 CHK BH CHO
 APVD BW KANG
 PRODUCT SPEC 108-61163
 APPLICATION SPEC 114-5203
 WEIGHT -



NAME
 2.5 SDL 18P PLUG HSG 2ROW TYPE
 2.5 SDL 18P PLUG HSG 2ROW TYPE

SIZE	CAGE CODE	DRAWING NO	RESTRICTED TO
A3	00779	C-2108504	

RESTRICTED CUSTOMER SCALE 2:1 SHEET 1 OF 1 REV D