

APPLICATIONS

4 Gimbal solution with integrated LED power supply and thermal management system combined in a single compact unit designed to fit most standard 4" recessed cans.

ILLUMINATION

- Long life LEDs with up to 50,000 hours at 70% lumen maintenance.
- Choice of 2700K, 3000K and 4000K color temperature with 80 CRI.
- Produces 675 - 750 lumens output from luminaire.

ELECTRICAL

- Dimmable to 10% with most dimmers.
- Save 75% compared to incandescent sources.
- High efficiency driver with a power factor $\geq .90$ with input power of 120V, 50-60Hz.
- Built-in LED Driver.
- Power consumption of 10 watts.
- Operation temperature of -20°C - 40°C (-4°F - 104°F).

HOUSING

- Compatible with most 4" housings.
- Compatible with insulated, non-insulated, and air-tight ceilings.
- Durable thermoplastic construction.
- E26 medium screw-base Edison connector provides easy retrofit of incandescent housings.

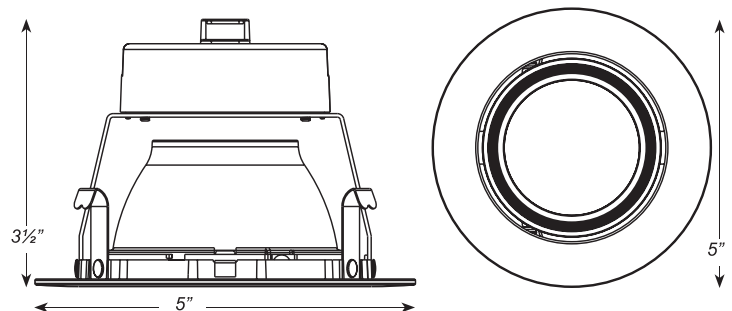


MOUNTING

- Easy installation with integral clips.
- No tools required for installation.

WARRANTY/LISTING

- Tested in accordance with IESNA LM79 & LM80.
- ETL Listed for wet location.
- Energy Star qualified.
- Passes FCC Class B.
- Meets State of California Title 24 requirements.
- Five year warranty on all electronics and housing.



MODEL	WATT	LUMENS	COLOR TEMP	OPTIONS
CLRDL4-1027-GIM	10	675	2700K	GIMBAL
CLRDL4-1030-GIM	10	705	3000K	GIMBAL
CLRDL4-1040-GIM	10	750	4000K	GIMBAL

COMPATIBLE DIMMERS	MODEL NUMBERS
Lutron Maestro C-L	MACL-153MR
Lutron Skylark C-L	SCL-153P
Leviton Sureslide	6674
Lutron	PD-6WCL
Legrand Harmony	HCL453PTCCCV6