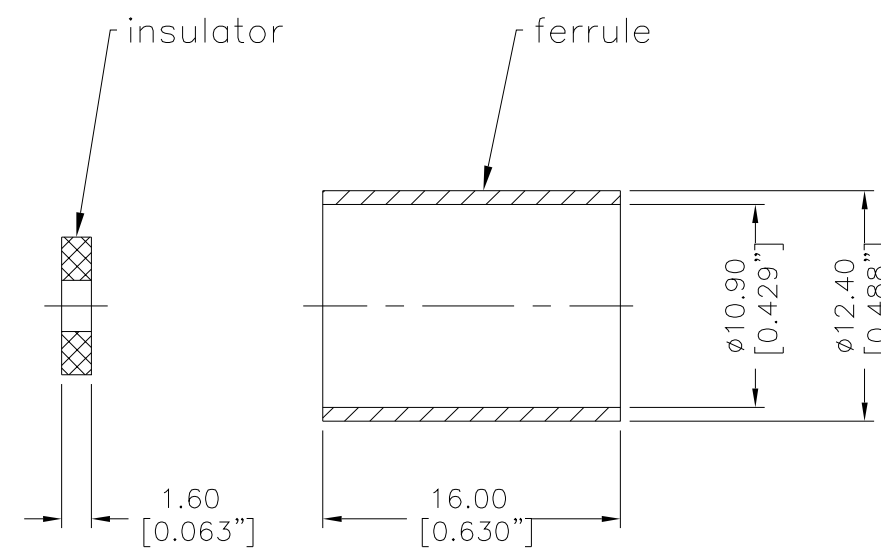
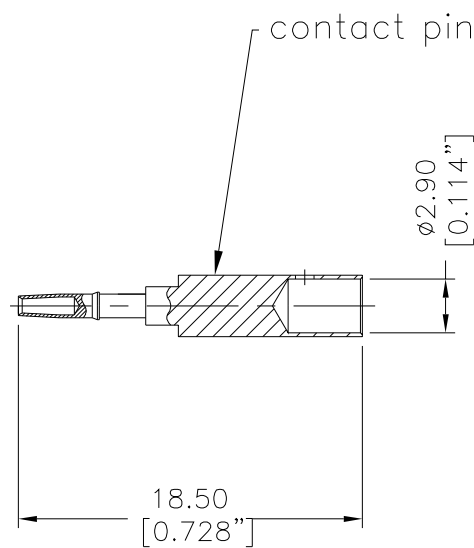
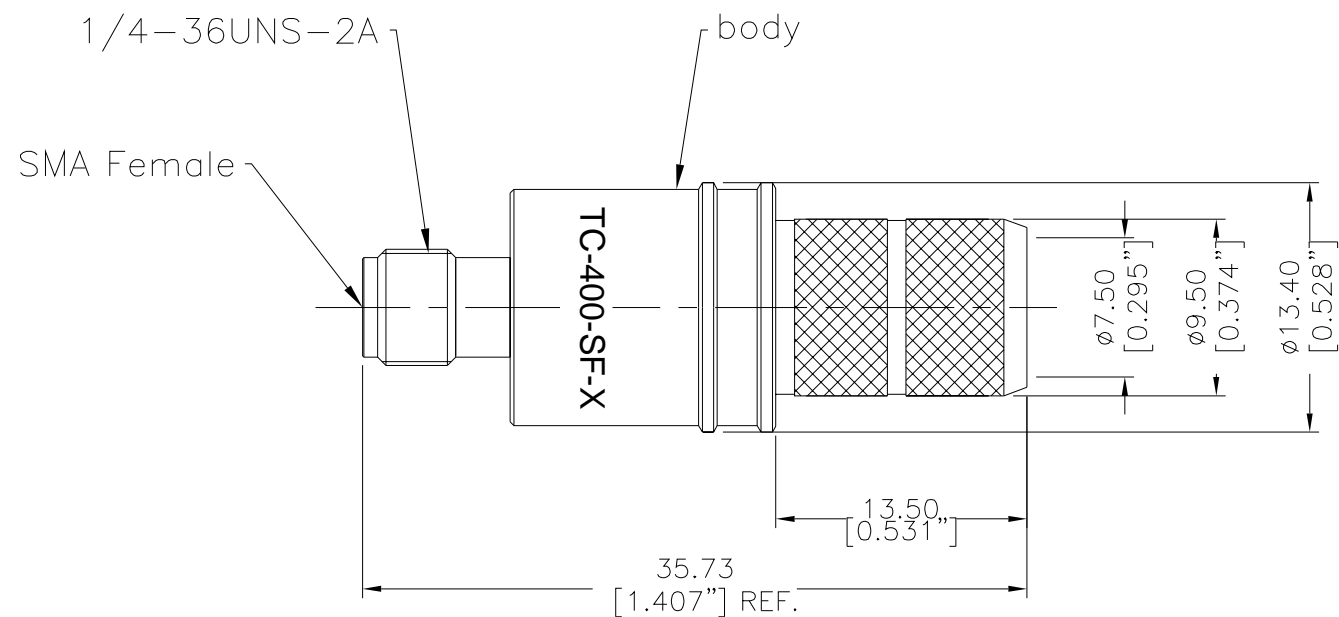


**NOTICE OF PROPRIETARY RIGHTS** THIS DOCUMENT CONTAINS CONFIDENTIAL DATA, INCLUDING TRADE SECRETS, PROPRIETARY TO TIMES MICROWAVE SYSTEMS. DISCLOSURE OF THIS DATA IS EXPRESSLY CONDITIONED UPON YOUR ASSENT THAT ITS USE IS LIMITED TO USE WITH YOUR COMPANY ONLY. ANY OTHER USE IS STRICTLY PROHIBITED WITHOUT THE PRIOR WRITTEN CONSENT OF TIMES MICROWAVE SYSTEMS.

SYM	REVISION DESCRIPTION	DFTM	DATE	APPD	APPD
A	RELEASED FOR PRODUCTION	Joslen	2015/05/18	TZ	2015/05/18
A1	Modify contact pin material	Monica	2018/02/26	TZ	2018/02/26
B	Changed design to -X rules	Monica	2018/05/23	Joslen	2018/05/23



**I. MATERIALS & FINISHES**

Components	Materials	Finishes	Thk. (μ")
Body	Brass	Albaloy	80
Center Cont.	Beryllium Copper	Gold	50
Ferrule	Brass	Albaloy	80
Insulator	PTFE	--	--

**II. ELECTRICAL PROPERTIES**

Impedance (Ω):	50
Frequency Range (GHz):	DC to 6 GHz
Dielectric withstanding voltage (V):	1000
Insulation Resistance (MΩ):	≥5000
VSWR:	≤1.30
Insertion Loss(dB, f/GHz):	-0.05x√f

**III. ENVIRONMENT PROPERTIES**

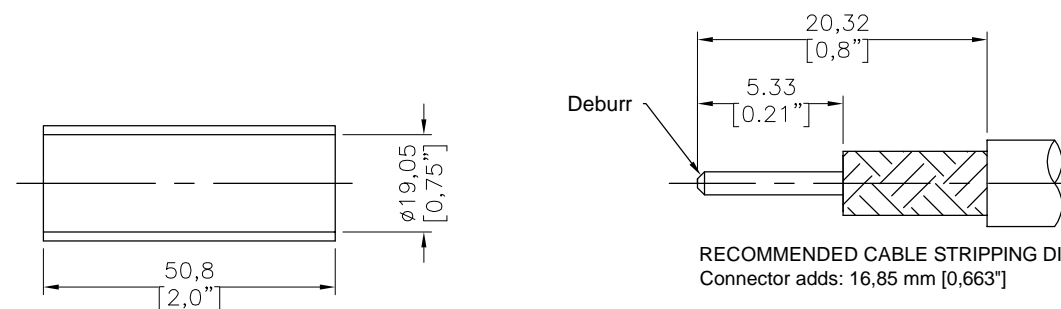
Temperature Range:	-40°C~+125°C
Thermal Shock:	MIL-STD 202G, Meth.107, Cond.B
Vibration:	MIL-STD 202G, Meth.204, Cond.B
Shock:	MIL-STD 202G, Meth.213, Cond I
Climatic Class:	IEC 60068 55/155/56
(2002/95/EC)RoHS:	Compliant

**IV. MECHANICAL PROPERTIES**

Center Cont.:	Solder
Outer Cont.:	Crimp
Coupling Nut Torque (N.m):	N/A
Cbl-Connector Retention Force (N):	500
Durability (cycles):	500
Climatic Class:	IEC 60068 55/155/56

**V. TOOLING**

Stripping Tool: 3192-004/CST-400  
Crimping Tool: 3190-666/CT-400/300



Shrink Tube (3/4"x2,0" 3:1)

RECOMMENDED CABLE STRIPPING DIM'S  
Connector adds: 16,85 mm [0,663"]

Compatible with Standard: IEC 60169-15

MATL:	UNLESS OTHERWISE SPECIFIED	DFTM:	Patrick	<p><b>TC-400-SF-X</b> SMA Female (Jack) Straight Solder Pin Connector for LMR-400 Cable</p>					
USED ON: O	ALL DIMENSIONS ARE IN mm MACHINED SURFACES FINISH 1.6 RMS MAX. REMOVE ALL BURRS 0.15X45° MAX. BREAK MACHINE CORNERS 0.15X45° D MAX. FILLET R. TOLERANCES ON DECIMALS .X ±0.3 .XX ±0.15 ANGLES ±2° FRACTIONS ± N/A	DATE:	2018/05/23						
SCALE: N/A	DWG SIZE: A4	CHKD:	Monica						
		DATE:	2018/05/23						
	DO NOT SCALE DRAWING	APPD:	Joslen						
	CODE ID/FNT: 68999	DATE:	2018/05/23	<table border="1"> <tr> <td>SHEET</td> <td>1 OF 1</td> <td>3190-6174</td> <td>REV</td> <td>B</td> </tr> </table>	SHEET	1 OF 1	3190-6174	REV	B
SHEET	1 OF 1	3190-6174	REV	B					