

4

3

2

1

THIS DRAWING IS UNPUBLISHED.

RELEASED FOR PUBLICATION

2015

© COPYRIGHT 2015 BY -TE CONNECTIVITY

ALL RIGHTS RESERVED.

REVISIONS

P	LTR	DESCRIPTION	DATE	DWN	APVD
	A	INITIAL RELEASE	17JUL2015	MGM	DM

1.595 [40.51]
1.195 [30.35]
.884 [22.45]
1.250 [31.75]

5

1.808 [45.92]
.813 [20.65]
.776 [19.71]
.125 [3.18]

CAVITY 1
4X Ø.170 [4.32]

1 2 3 4
DEUTSCH

5 DATE CODE: MONTH IS REPRESENTED BY SEQUENTIAL ALPHA CHARACTERS EX: A = JANUARY; YEAR IS REPRESENTED BY LAST NUMERICAL DIGIT EX: 0=2010

4 MATERIAL: RECEPTACLE HOUSING & FLANGE: PA66 GF15 (BLACK)
GROMMET: SILICONE (ORANGE-RED)

3. THIS RECEPTACLE MATES WITH DT06-4S-XXXX PLUG (XXXX = ALL MODIFICATIONS)

2. SECONDARY WEDGE LOCK SOLD SEPARATELY: W4PX-XXXX. (X= A,B,C,D KEYS) XXXX = ALL MODIFICATIONS

1 DIMENSION TOLERANCE: ± 0.025 [.64], EXCEPT FOR PANEL CUTOUT: ± 0.010 [.25]. SEE SHEET 2.

NOTES:

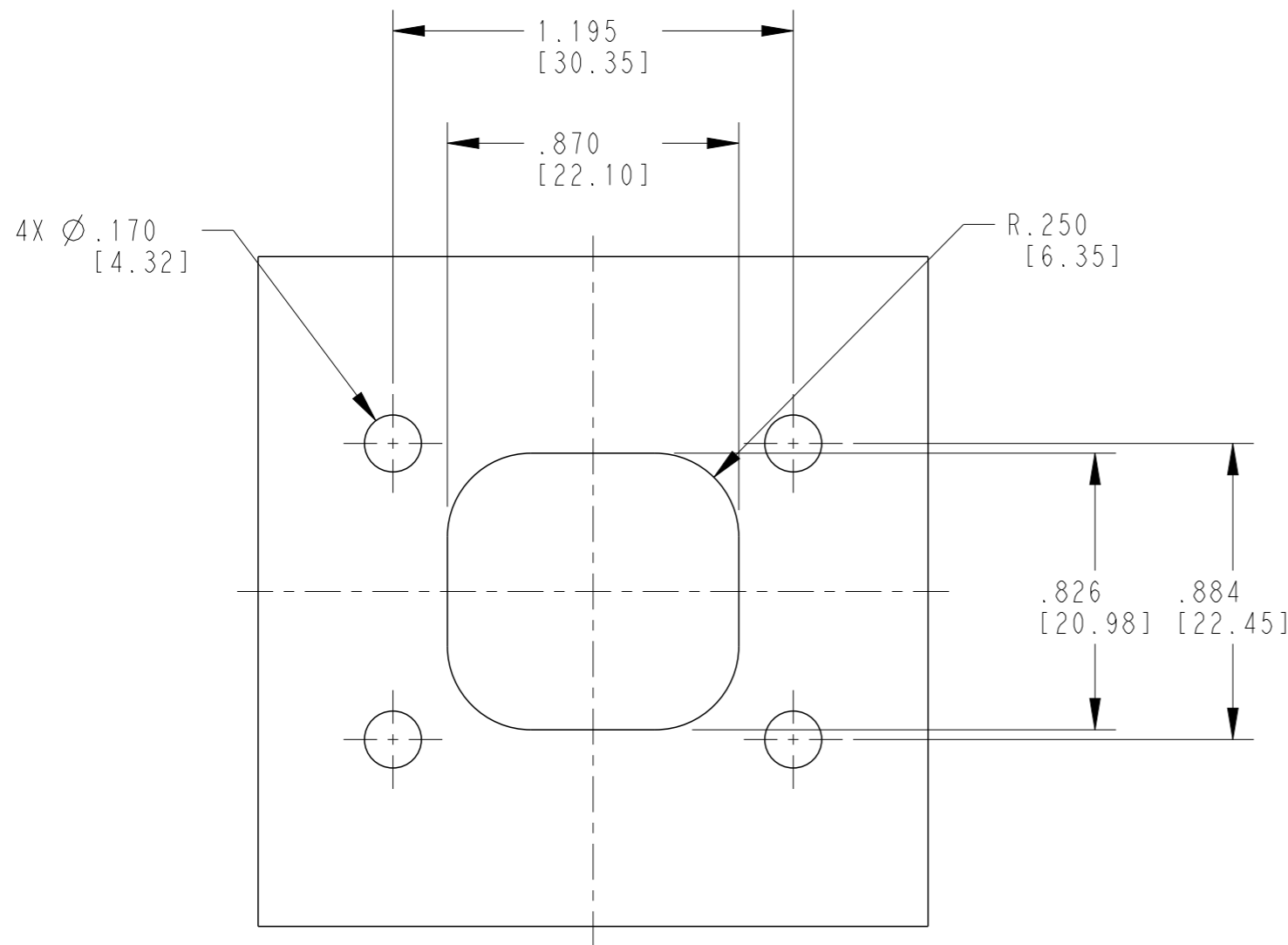
TCPN	ALIAS PART NUMBER		
DT04-4P-CL06	DT04-4P-CL06		
CONTACT SIZE	MIN. INSUL. O.D	MAX INSUL. O.D	WIRE RANGE [mm ²]
16	.053 [1.35]	.120 [3.05]	14-20 AWG [2.0-0.5]

DIMENSIONS: INCHES [mm]		TOLERANCES UNLESS OTHERWISE SPECIFIED:		THIS DRAWING IS A CONTROLLED DOCUMENT.		DWN 17JUL2015 MANJUNATH GM		TE Connectivity	
0 PLC	\pm	1	\pm	CHK 17JUL2015 D.MEYER	APVD 17JUL2015 D.MEYER	NAME RECEPTACLE, 4PIN -CL06 MOD DT SERIES			
1 PLC	\pm	2	\pm	PRODUCT SPEC 108-151009		SIZE A3	CAGE CODE 4AFU8	DRAWING NO C=DT04-4P-CL06	RESTRICTED TO -
2 PLC	\pm	3	\pm	APPLICATION SPEC 0425-017-0000		WEIGHT -		SCALE 2:1 SHEET 1 OF 2 REV A	
3 PLC	\pm	4	\pm	MATERIAL FINISH -		CUSTOMER DRAWING			
4 PLC	\pm								
ANGLES	\pm								

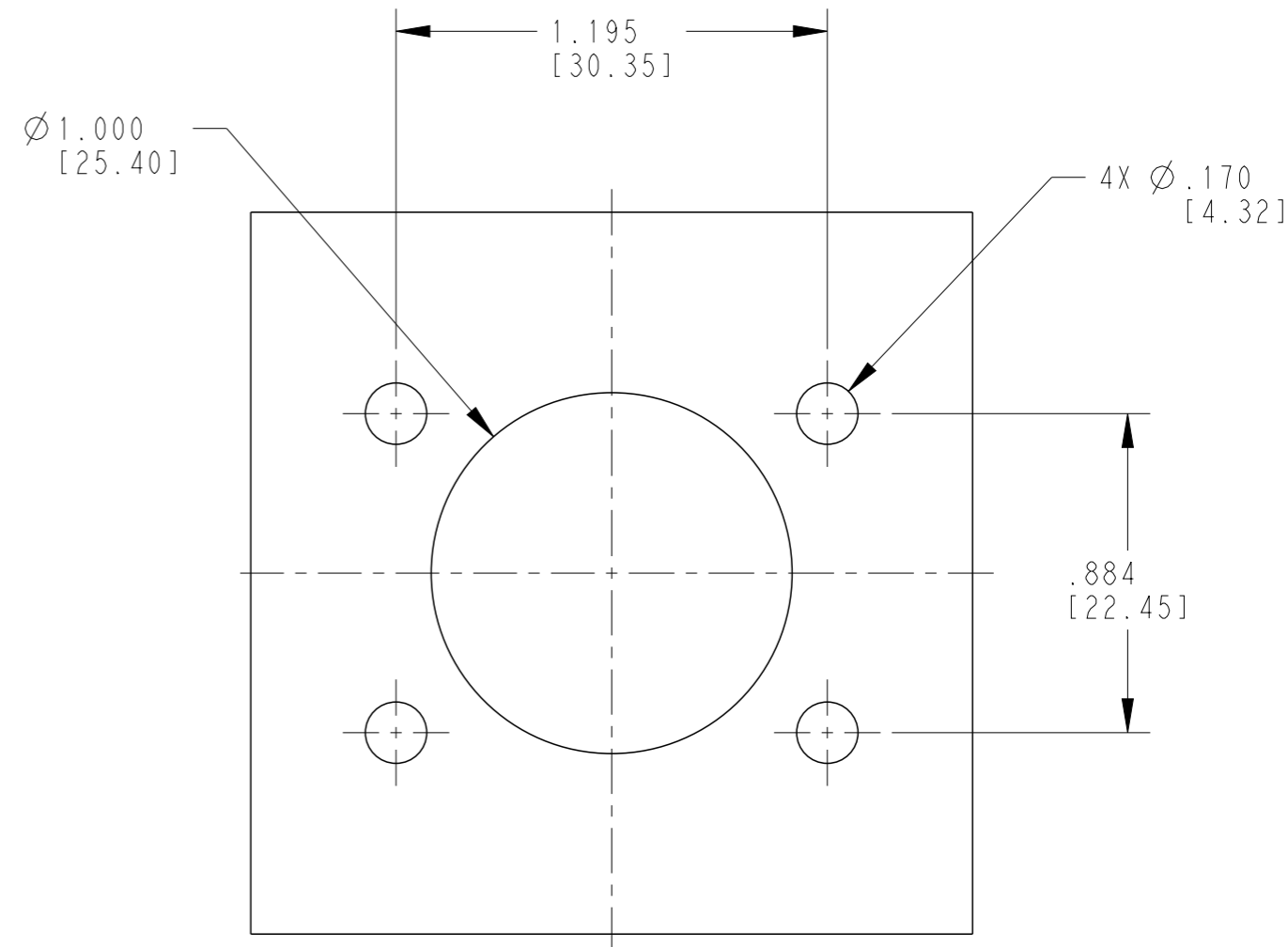
1470-19 (3/13)

REVISIONS

P	LTR	DESCRIPTION	DATE	DWN	APVD
-	-	SEE SHEET 1	-	-	-

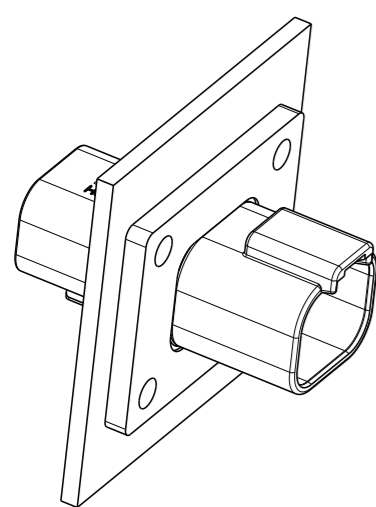


RECOMMENDED CUTOUT FRONT AND REAR MOUNT

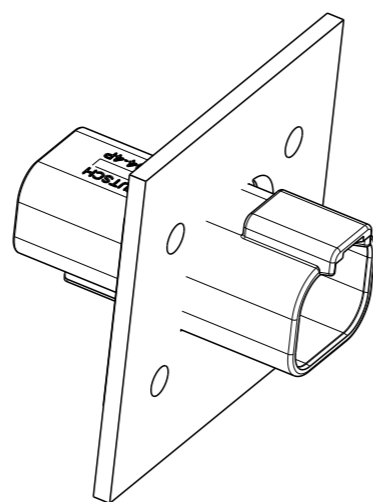


OPTIONAL CUTOUT FRONT AND REAR MOUNT

FOR REFERENCE ONLY



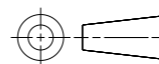
FRONT MOUNT



REAR MOUNT

THIS DRAWING IS A CONTROLLED DOCUMENT.

DIMENSIONS:
INCHES [mm]



TOLERANCES UNLESS OTHERWISE SPECIFIED:

- 0 PLC ±
- 1 PLC ±
- 2 PLC ±
- 3 PLC ±
- 4 PLC ±
- ANGLES ±

MATERIAL

FINISH

DWN 17JUL2015

MANJUNATH GM

CHK 17JUL2015

D.MEYER

APVD 17JUL2015

D.MEYER

PRODUCT SPEC

108-151009

APPLICATION SPEC

0425-017-0000

WEIGHT

-

NAME
RECEPTACLE, 4PIN -CL06 MOD
DT SERIES

SIZE	CAGE CODE	DRAWING NO	RESTRICTED TO
------	-----------	------------	---------------

A3	4AFU8	DT04-4P-CL06	-
----	-------	--------------	---

CUSTOMER DRAWING	SCALE 2:1	SHEET 2 OF 2	REV A
------------------	-----------	--------------	-------

