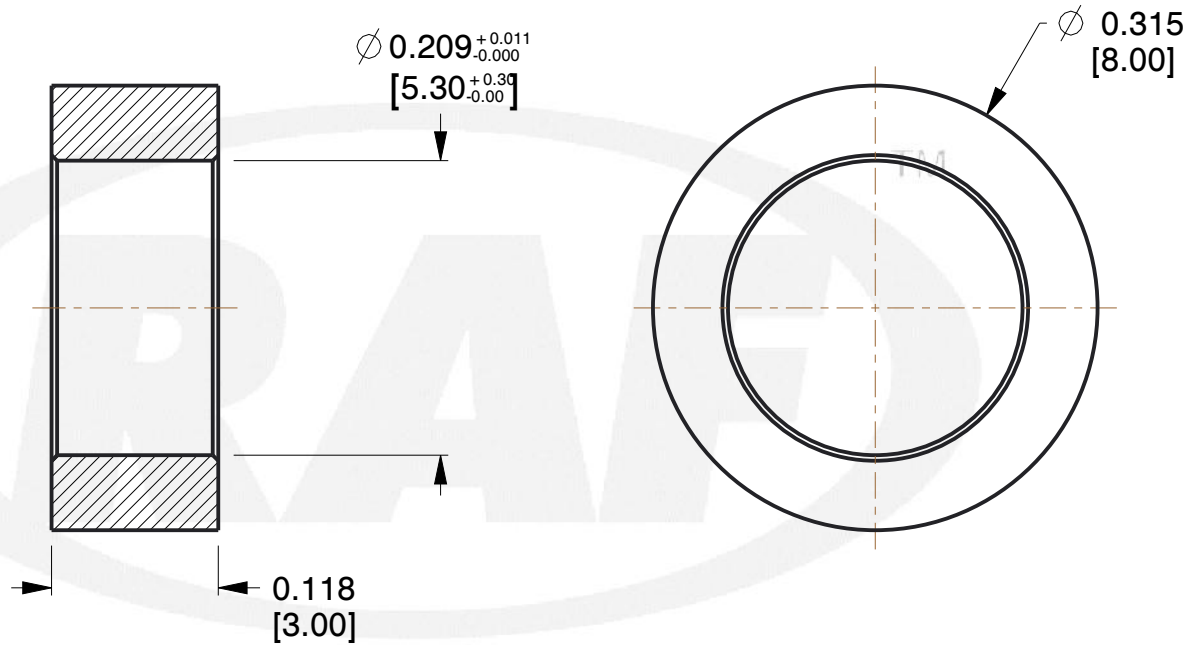



REV	CHANGE	DATE	DRN	CHK
	Drawn	02/06/17	SJ	T



**NOTES:**

1. Material : Stainless Steel
2. Finish :
3. ASME Y14.5M - 2009
4. All Drawing Dimensions are in Inches [mm]
5. Unless otherwise specified; Edge Breaks, Radii or Countersinks 0.005-0.015

 <p>95 Silvermine Rd., Seymour CT 06483 Tel: 203-888-2133, Fax: 203-888-9860</p>	<p>This Drawing is the Property of RAF. It contains confidential, proprietary information that is RAF property. Do not disclose to or duplicate for others except as authorized by RAF.</p>	<p><b>TOLERANCES</b> ALL DIMENSIONS ARE INCHES (UNLESS OTHERWISE SPECIFIED) <b>METALLIC</b> LENGTHS &lt;math&gt;&lt;f&gt;= 6&lt;/math&gt; INCHES <math>\pm 0.005</math> LENGTH &gt; 6 INCHES <math>\pm 0.010</math> DIAMETERS: <math>\pm 0.005</math> <b>NON-METALLIC</b> LENGTH: <math>\pm 0.010</math> DIAMETERS: <math>\pm 0.010</math> <b>INTERNAL THREADS:</b> MINIMUM THREAD DEPTH</p>	COMPONENT	SPACERS	<b>SCALE</b>
			M0592-5-SS		7.35
			8MM ROUND SPACERS		<b>SHEET</b>
					1 of 1