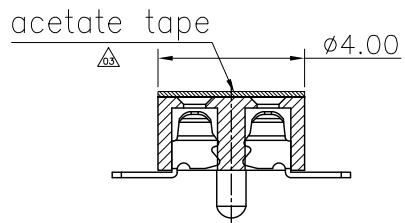
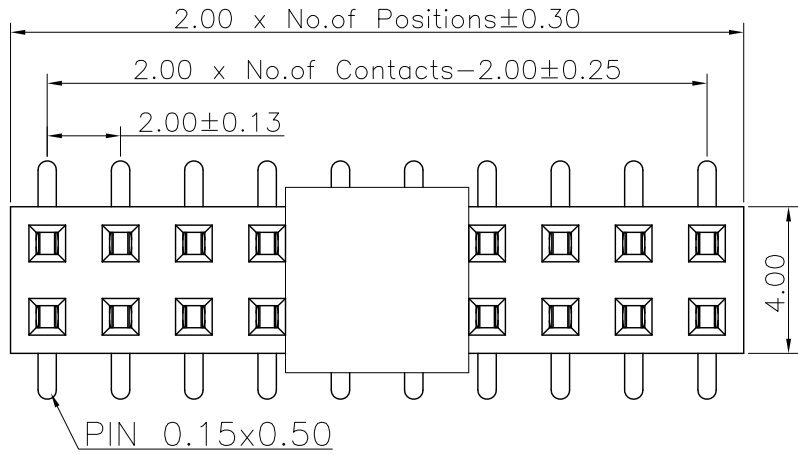
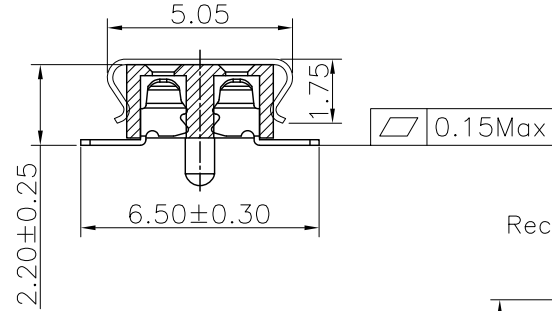
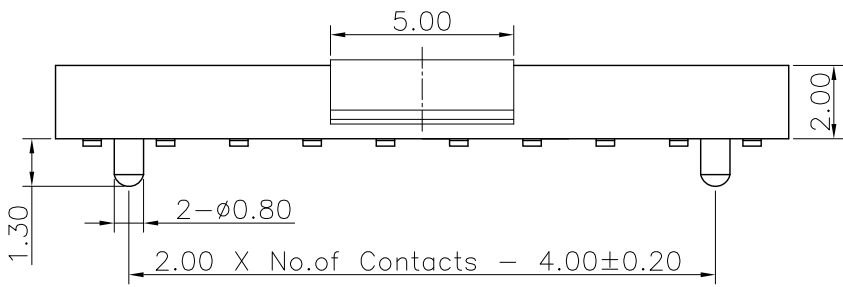


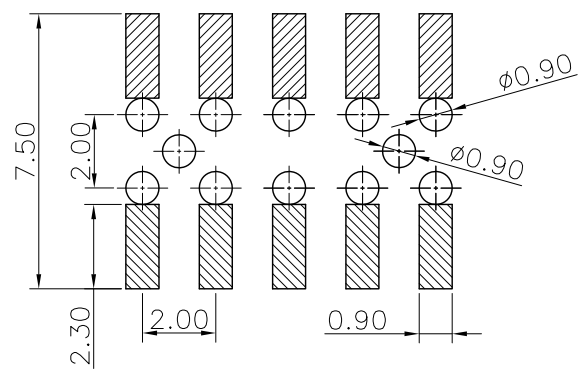
REV.	LOCAS.	DESCRIPTION	DATE	DRAWN
01	NEW	INITIAL RELEASE.	2010.08.06	謝金發
02	△	變更圖號	2012.04.18	黃小燕
03	△	新增醋酸膠紙	2012.11.07	邱明周



Specifications  
 Current Rating: 2Amp  
 Insulation Resistance: 1000MΩMin.  
 Dielectric Withstanding Voltage: 500VAC  
 Contact Resistance: 20mΩMax.  
 Operating Temperature: -40°C to +105°C  
 Materials  
 Contact Material: Phosphor Bronze  
 Insulator Material: High Temperature Thermoplastic, UL 94V-0 Nylon 6T(無鹵) or the equivalent material  
 All materials must meet Greenconn requirement for environment protection.



Recommended P.C.Board Layout FOR BOTTOM ENTRY



### Ordering Information

C SFC206 - XX XX B 001 R 1 A X

- No. of Pins per Row: 03~40
- Standard Plating: 02=Gold Flash
- Selective Plating: 01=Tin, 05=Gold Flash/Tin
- Color: 1=Black
- Standard Packing: C=Tube
- Selective Packing: A=Box, E=CAP+Tube, F=CAP+Tape&Reel

格稜股份有限公司  
**Greenconn Corporation**

GENERAL TOLERANCE		DESIGN: 邱明周	DATE: 2012.11.07	DWG. NO.	TITLE: 2.0 FEMALE HEADER DUAL ROWS SMT TYPE BASE 2.00H
X.*±5.0°	X.±0.30	CHECKED: 劉北平	DATE: 2012.11.07	CSFC206-△CB1RA	
.X*±3.0°	.X±0.25	AUDITED: 李輝	DATE: 2012.11.07	PART NO.	
.XX*±2.0°	.XX±0.15	APPROVED: cc_li	DATE: 2012.11.07	CSFC206-XXXX B001R1AX	
.XXX*±1.0°	.XXX±0.10				

REV.	UNIT.	SCALE.	PAGE.
03	mm	5:1	1/1