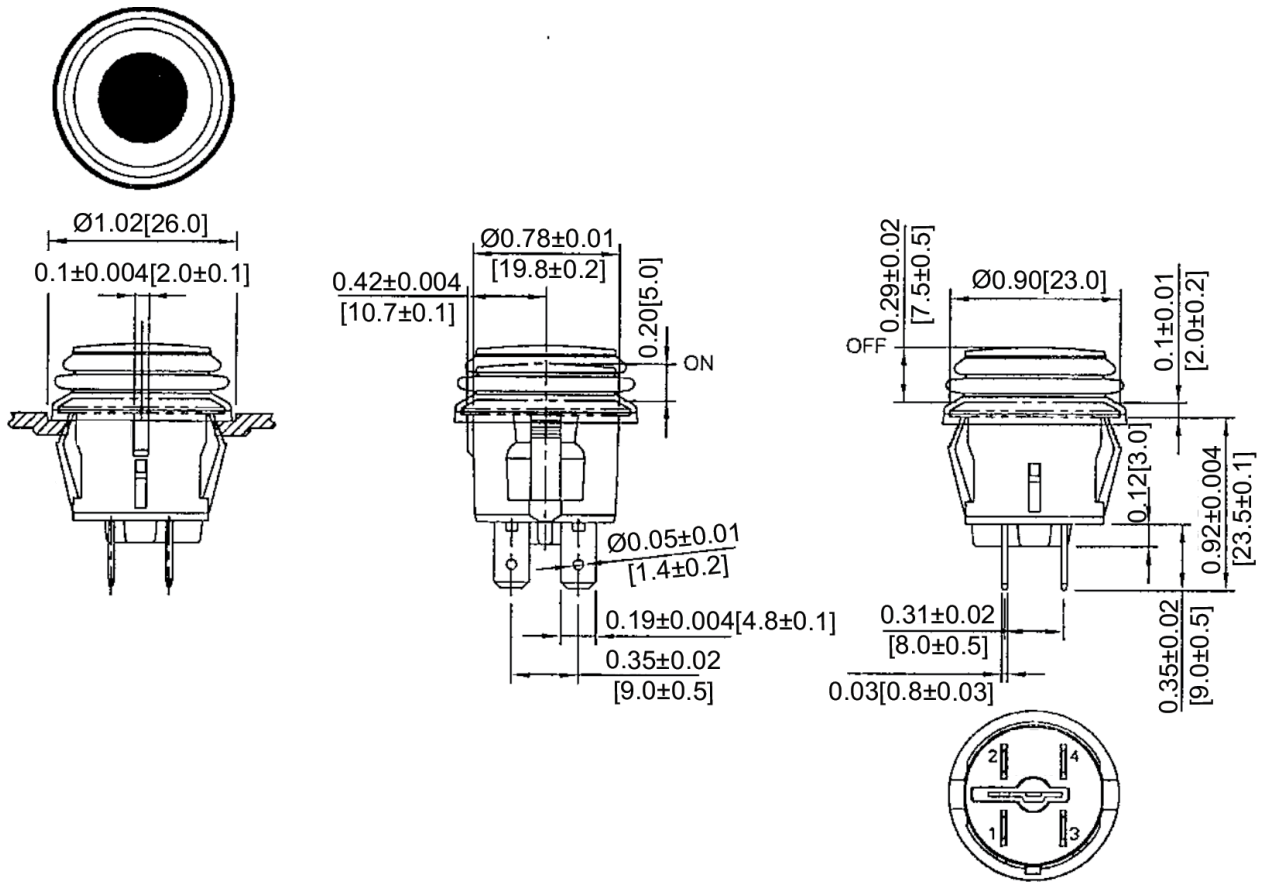
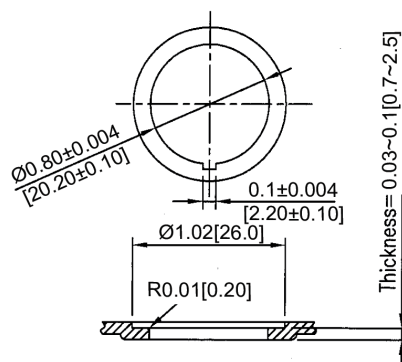


Mechanical Dimensions: Inches [mm]

Tolerances ± 0.012 [0.3] Unless Otherwise Specified

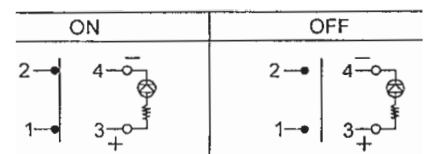


Mounting Hole



Circuit Diagram

4P SPST OFF-ON (LED I)



Electrical Specifications

Rating	20A 14V DC
Contact Resistance	50m ohm Max.
Insulation Resistance	DC 500V 100M ohm Min
Dielectric Strength	AC 1500V 1 minute
Operation Temperature	-20°C ~ 85°C

Material Specifications

Frame	Black, Nylon 66
Actuator	Green Clear, PC
Terminals	Silver Plated, Copper Alloy
Waterproof Rubber	Black, Silicone
LED	Green 12V (Independent)

Push Switch

PB-1A-DC-2-GIL



Rev **Date of issue** **Revision Notes**

Designed **Approved**

A	05-18-2021	Initial Drawing	RC	OF
---	------------	-----------------	----	----