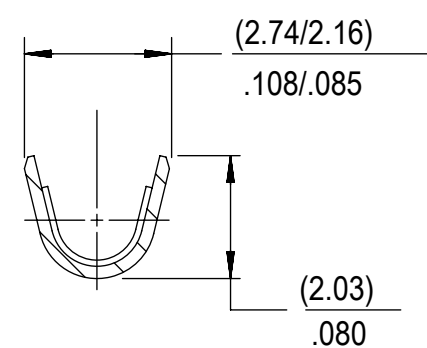


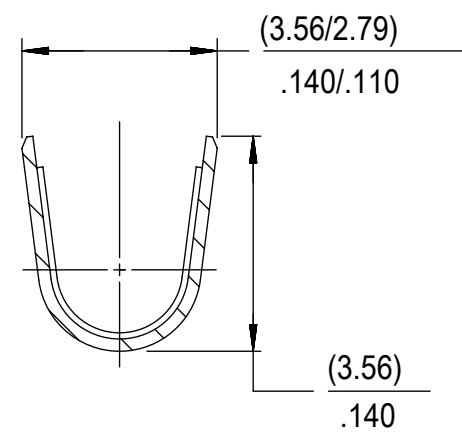
PART NO. ENG. NO.

02-06-1101	1561-(P901)
02-06-1103	1561-(P901)L
02-06-5101	1561-(P561)
02-06-5102	1561-(P561)L
02-06-5108	1561-(P228)
02-06-5109	1561-(P228)L
02-06-5100	1561-(P550)
02-06-5103	1561-(P550)L
02-06-5105	1561-(P591)
02-06-5104	1561-(P591)L
02-06-1118	1561-1(P901)
NOT TOOLED	1561-1(P901)L



SECT. "B-B"

SCALE:10X



SECT. "C-C"

SCALE:10X

LEGEND

1561-*(****)*

BLANK=WITH LOCKING TABS
1=WITHOUT LOCKING TABS

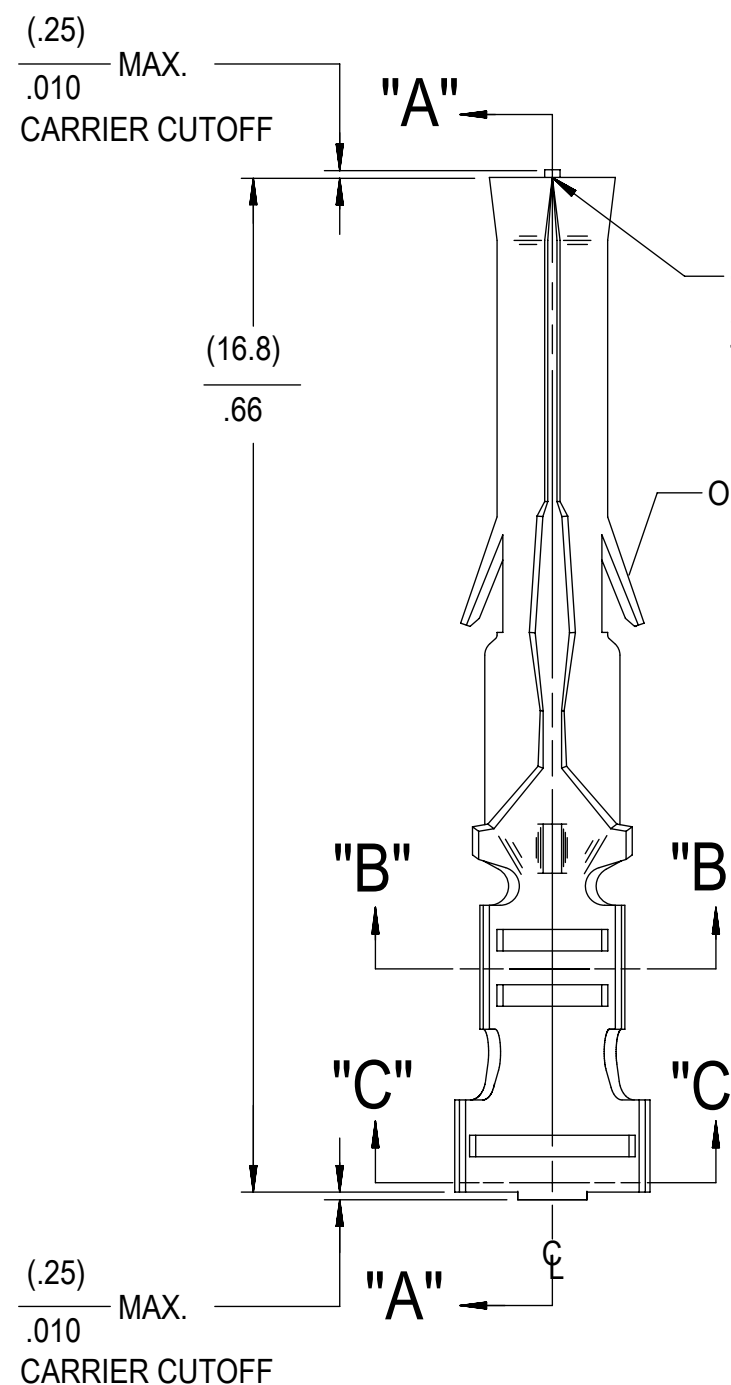
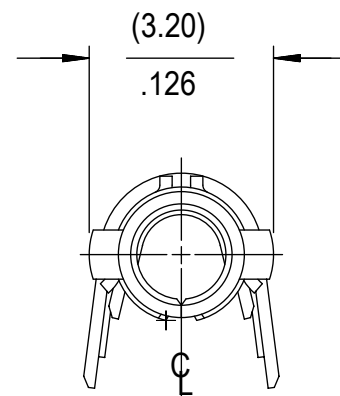
FORM
BLANK=CHAIN
L=LOOSE

P=PREPLATE
BLANK=POSTPLATE

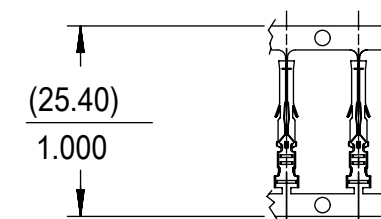
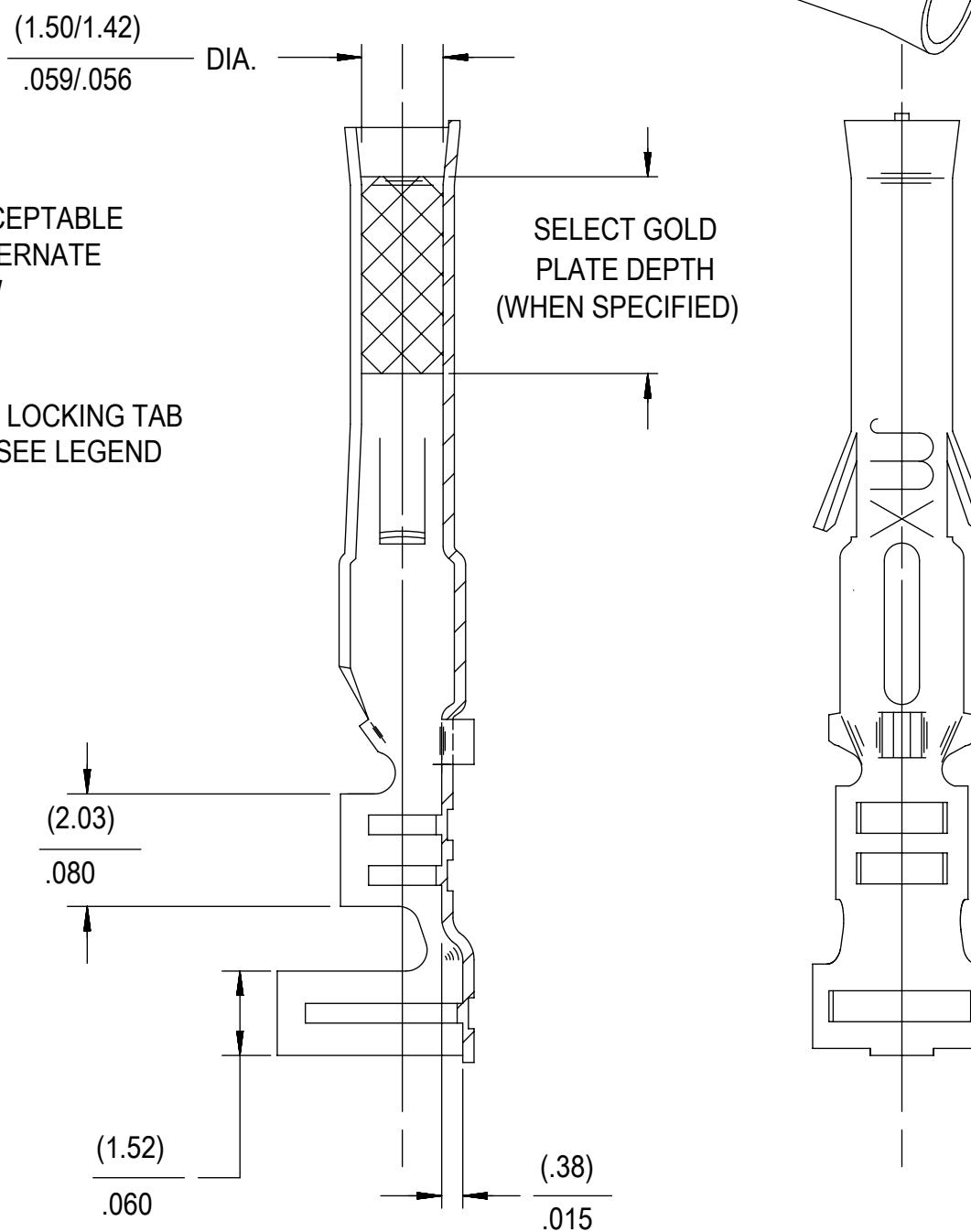
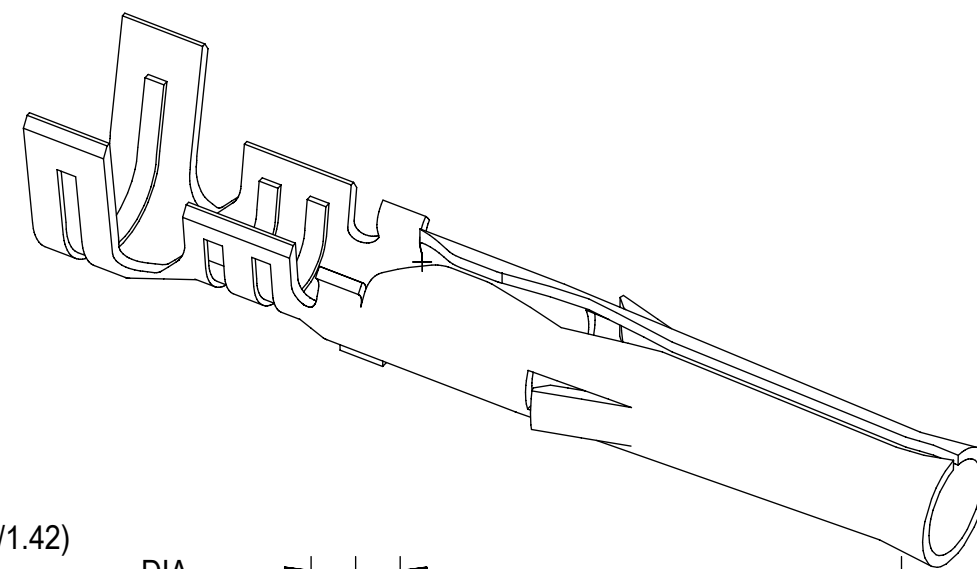
FINISH CODE

NOTES:

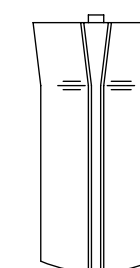
- MATERIAL: BRASS
- FINISH:
 - 901 HOT TIN DIP (.00051)/.000020 MIN.
 - 228 SELECT GOLD PLATE (.00075)/.000030 MIN. IN CONTACT AREA, SELECT TIN. (.00250)/.000100 MIN. IN CRIMP AREA OVER (.00125)/.000050 MIN. NICKEL OVERALL.
 - 561 SELECT GOLD PLATE (.00076)/.000030 MIN. IN CONTACT AREA, OVER (.00127)/.000050 MIN. NICKEL OVERALL.
 - 591 SELECT GOLD PLATE (.00175)/.000050 MIN. IN CONTACT AREA, OVER (.00127)/.000050 MIN. NICKEL OVERALL WITH (.000025)/.000010 MAX. GOLD FLASH OVERALL.
 - 550 SELECT GOLD PLATE (.00038)/.000015 MIN. IN CONTACT AREA, OVER (.00076)/.000030 MIN. NICKEL OVERALL WITH (.000025)/.000010 MAX. GOLD FLASH OVERALL.
- PRODUCT SPECIFICATION: PS-02-06.
- PACKAGING INFORMATION:
 - LOOSE TERMINALS: PK-1190-003
 - CHAIN TERMINALS: 15610000-PK
- TERMINAL FOR USE WITH (1.57)/.062 DIA. SERIES HOUSINGS AND WILL ACCEPT 18 THRU 24 AWG WIRE WITH (1.52/3.05)/.060/.120 INSULATION DIA.
- PARTS CONFORM TO CLASS B REQUIREMENTS OF COSMETIC SPECIFICATION PS-45499-002.
- TIP GEOMETRY IS TOOL DEPENDENT. EITHER GEOMETRY IS ACCEPTABLE.



SECT. "A-A"



CARRIER VIEW
ACTUAL SIZE



ALTERNATE TIP GEOMETRY
SEE NOTE 7

THIS DRAWING CONTAINS INFORMATION THAT IS PROPRIETARY TO MOLEX ELECTRONIC TECHNOLOGIES, LLC AND SHOULD NOT BE USED WITHOUT WRITTEN PERMISSION											
SYMBOLS		DIMENSION UNITS		SCALE		CURRENT REV DESC: UPDATE PK SPEC					
▽ = 0	▽ = 0	MM/IN	NTS			EC NO: 614240 DRWN: JEHRISMAN 2019/03/22 CHK'D: FSMITH 2019/05/10 APPR: FSMITH 2019/05/10 INITIAL REVISION: DRWN: GEW 1991/02/19 APPR: GWF 1991/02/19					
▽ = 0	▽ = 0	GENERAL TOLERANCES (UNLESS SPECIFIED)									
▽ = 0	▽ = 0	MM	INCH								
▽ = 0	▽ = 0	4 PLACES	±	±							
▽ = 0	▽ = 0	3 PLACES	±	±	0.01	PRODUCT CUSTOMER DRAWING DOCUMENT NUMBER: SD-1561-X DOC TYPE: PSD DOC PART: 001 REVISION: AP3 MATERIAL NUMBER: SEE TABLE CUSTOMER: GENERAL MARKET SHEET NUMBER: 1 OF 1					
▽ = 0	▽ = 0	2 PLACES	±	±	0.25						
▽ = 0	▽ = 0	1 PLACE	±	±	0.36						
▽ = 0	▽ = 0	0 PLACES	±	±							
▽ = 0	▽ = 0	ANGULAR TOL ± 0.5 °				THIRD ANGLE PROJECTION		DRAWING		SERIES	
▽ = 0	▽ = 0	DRAFT WHERE APPLICABLE MUST REMAIN WITHIN DIMENSIONS				C-SIZE		1561			